

Pressure gauge

industrial design series 2040

case dim 160 mm

E 02.02.02

Ed.17.01

Application	Industrial pressure gauge. Suitable for media that will not obstruct the pressure system or attack copper alloy parts
Design	EN 837-1
Series	2040
WIKA model	212.20
Case size	Nominal size dim 160 mm
Accuracy	Class 1,0%
Case	Stainless steel with bayonet ring
Window	Instrument glass
Pressure element	Copper alloy
Movement	Copper alloy
Dial	Aluminium, white with black lettering
Pressure unit	Bar. Option with unit bar/Pa, bar/psi, kPa, MPa, psi
Pressure connection	G3/8" or G1/2" male Option with G1/4", 1/4"NPT or 1/2"NPT
Mounting	Lower or back mount, also with back flange, front flange or triangular bezel with clamp
Ingress protection	IP 54 acc.to EN 60529/IEC 529
Pressure limitation	Full scale value by steady pressure 90% of full scale value by fluctuating pressure By short time pressure 1,3 x of full scale value
Permissible temperature	Medium temperature max -40 till +80°C Ambient temperature max -40 till +60° C
Certificates	Certificate EN 10204 can be delivered as options Test report wetted parts EN 10204-2.2 Inspection certificate wetted parts EN 10204-3.1 Calibration certificate with 5 measuring points Calibration certificate EN 10204-3.1 or DKD-calibration
Production options	Design Degreased for oxygen services Dial with colored sectors or with customer logo



2040
Lower mount



2041
Back mount



2045
Lower mount
back flange



2047
Back mount
front flange



2048
Back mount
bezel and clamp



2049
Lower mount
front flange

Pressure gauge

industrial design series 2040

case dim 160 mm

E 02.02.02



Pressure range	Interval	Divisions
0-0,6 bar	0,01	60
0-1 bar	0,02	50
0-1,6 bar	0,05	32
0-2,5 bar	0,05	50
0-4 bar	0,1	40
0-6 bar	0,1	60
0-10 bar	0,2	50
0-16 bar	0,5	32
0-25 bar	0,5	50
0-40 bar	1,0	40
0-60 bar	1,0	60
0-100 bar	2,0	50
0-160 bar	5,0	32
0-250 bar	5,0	50
0-400 bar	10,0	40
0-600 bar	10,0	60
0-1000 bar	20,0	50
-1/0 bar	0,02	50
-1/+1,5 bar	0,05	50
-1/+3 bar	0,1	40
-1/+5 bar	0,1	60
-1/+9 bar	0,2	50
-1/+15 bar	0,5	50
-1/+24 bar	0,5	50

Accuracy

Max permissible error 1,0%

The accuracy is expressed as a percentage of full scale range. Permissible error 1,0% will cover 0% till 100% of scale range with a reference temperature of +20°C.

Ex. Pressure range 0-10 bar has an error of $\pm 0,1$ bar

Temperature effect

Temperature of the measuring system over or under the reference temperature +20°C will effect the accuracy with 0,4 percentage per +10°C. With a medium temperature of +40°C the accuracy will be $\pm 1,8\%$.

Alternative design

Liquid filling

Case with liquid filling

Type 2940 datasheet E02.09.03

Low pressure

Pressure range < 0-0,6 bar

Pressure range from 2,5 mbar to 400 mbar

Type 2060 datasheet E02.16.04

High pressure

Pressure range > 0-1000 bar

Pressure range 0-1600 bar or 0-2500 bar

Type 2950 HP1 datasheet E02.11.01

Test gauge

Pressure gauge for testing and calibration 0,6%

Type 3030.160 datasheet E02.20.01

With electrical contact

With electrical contact

One or two electrical contact mounted in the case

Max- and/or minfunction

Type PGS21.100 datasheet E02.52.01

With electrical contact device

One or two electrical contact mounted outside the case

Max- and/or minfunction

Datasheet E02.60.01










Pressure gauge

industrial design series 2040

case dim 160 mm

E 02.02.02

Code number serie 2040 with case dim 160 mm

							
	2040	2040	2045	2045	2047	2049	2049
Connection	G3/8	G1/2	G3/8	G1/2	G1/2	G3/8	G1/2
Range	Lower	Back	Back flange	Back flange	Front flange	Front flange	Front flange
0-0,6 bar	x	x	x	x	x	x	x
0-1 bar	x	x	x	x	x	x	x
0-1,6 bar	x	x	x	x	x	x	x
0-2,5 bar	x	x	x	x	x	x	x
0-4 bar	20406006*	20405606	20456006*	20455606	20475606	20496006*	20495606
0-6 bar	20406007	20405607	20456007	20455607	20475607	20496007	20495607
0-10 bar	20406008	20405608	20456008	20455608	20475608	20496008	20495608
0-16 bar	20406011*	20405611	20456011*	20455611	20475611	20496011*	20495611
0-25 bar	20406013*	20405613	20456013*	20455613	20475613	20496013*	20495613
0-40 bar	20406015*	20405615	20456015*	20455615	x	20496015*	20495615
0-60 bar	x	x	x	x	x	x	x
0-100 bar	x	x	x	x	x	x	x
0-160 bar	x	20405620	x	20455620	x	x	20495620
0-250 bar	x	x	x	x	x	x	x
0-400 bar	x	x	x	x	x	x	x
0-600 bar	x	x	x	x	x	x	x
0-1000 bar	x	x	x	x	x	x	x
-1/0 bar	20406040*	20405640	20456040*	20455640	x	20496040*	20495640
-1/+1,5 bar	x	x	x	x	x	x	
-1/+3 bar	20406067*	20405667	20456067*	20455667	x	20496067*	20495667
-1/+5 bar	20406068	20405668	20456068	20455668	x	20496068	20495668
-1/+9 bar	20406069	20405669	20456069	20455669	x	20496069	20495669
-1/+15 bar	20406071*	20405671	20456071*	20405671	x	20496071*	20495671

Code number marked with * is delivered with pressure adaptor 9028 G1/2xG3/8

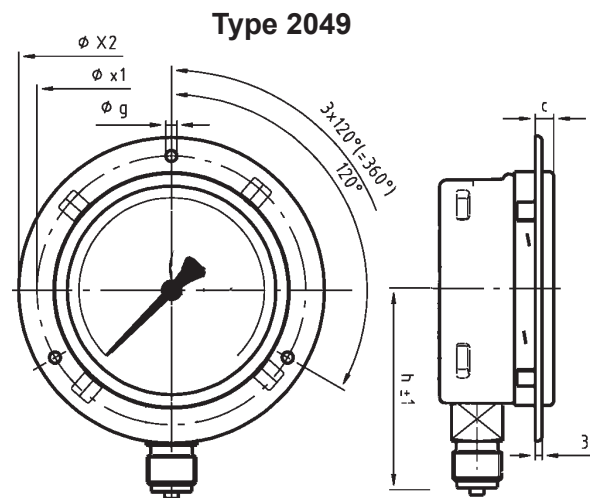
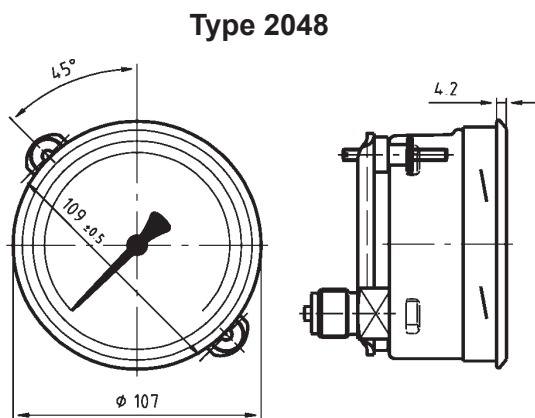
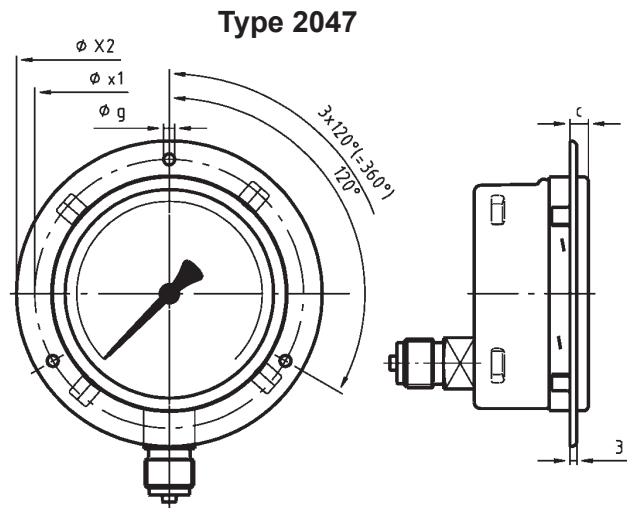
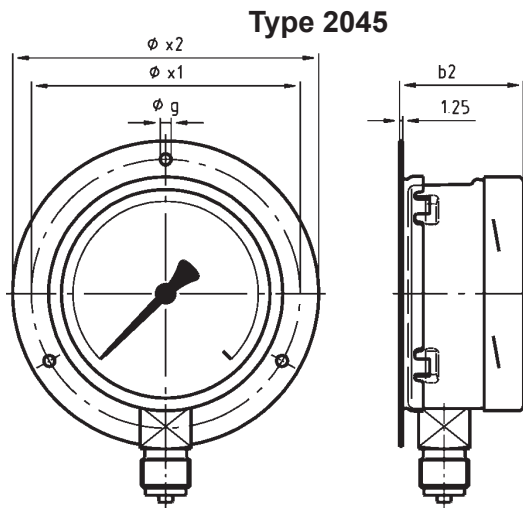
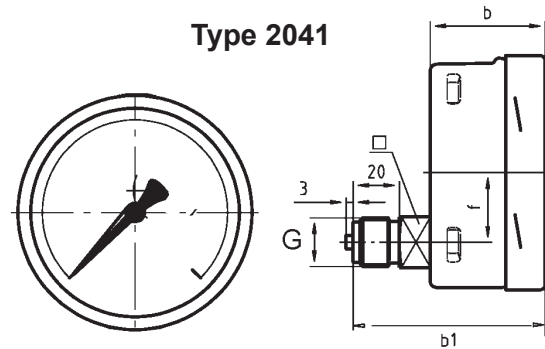
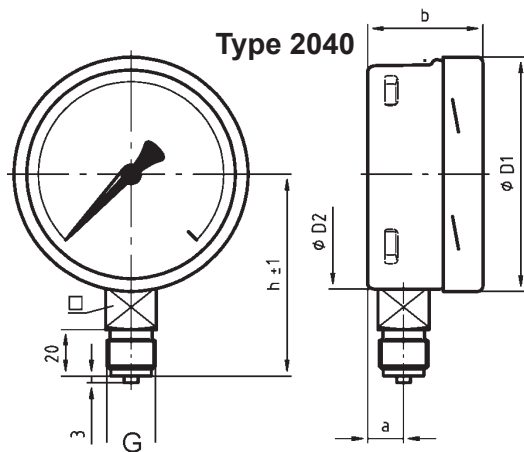
Pressure ranges marked with x only as option or as design
2840, 2841, 2845, 2847, 2848 or 2849 acc.to datasheet 02.08.02

Pressure gauge

industrial design series 2040

case dim 160 mm

E 02.02.02



Dim Ø	a	b	b ₁	b ₂	D ₁	D ₂	x1	x2	g	h±1	f	c	kg	G**
160	15,5	49,5*	83*	53,5	161	159	178	196	5,8	188	50	10	1,1	G3/8-G1/2

* From 100 bar b = 65,5 mm and b₁ = 99 mm